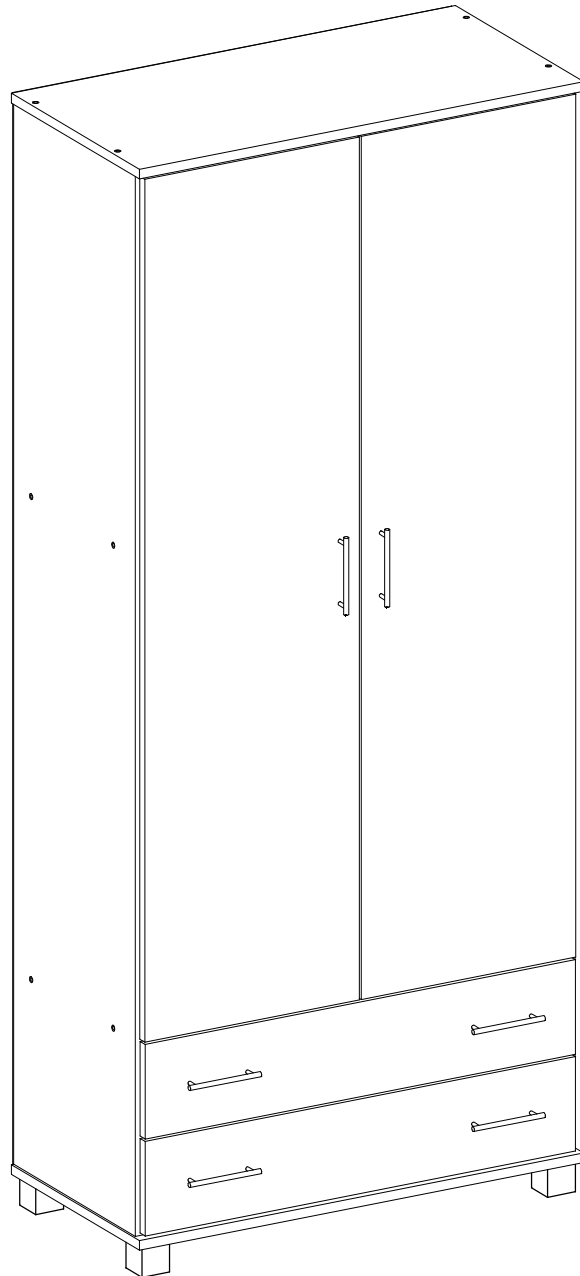


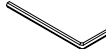
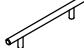




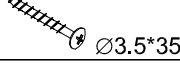




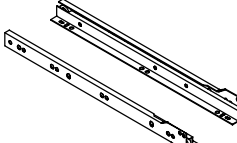
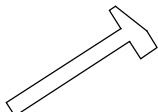


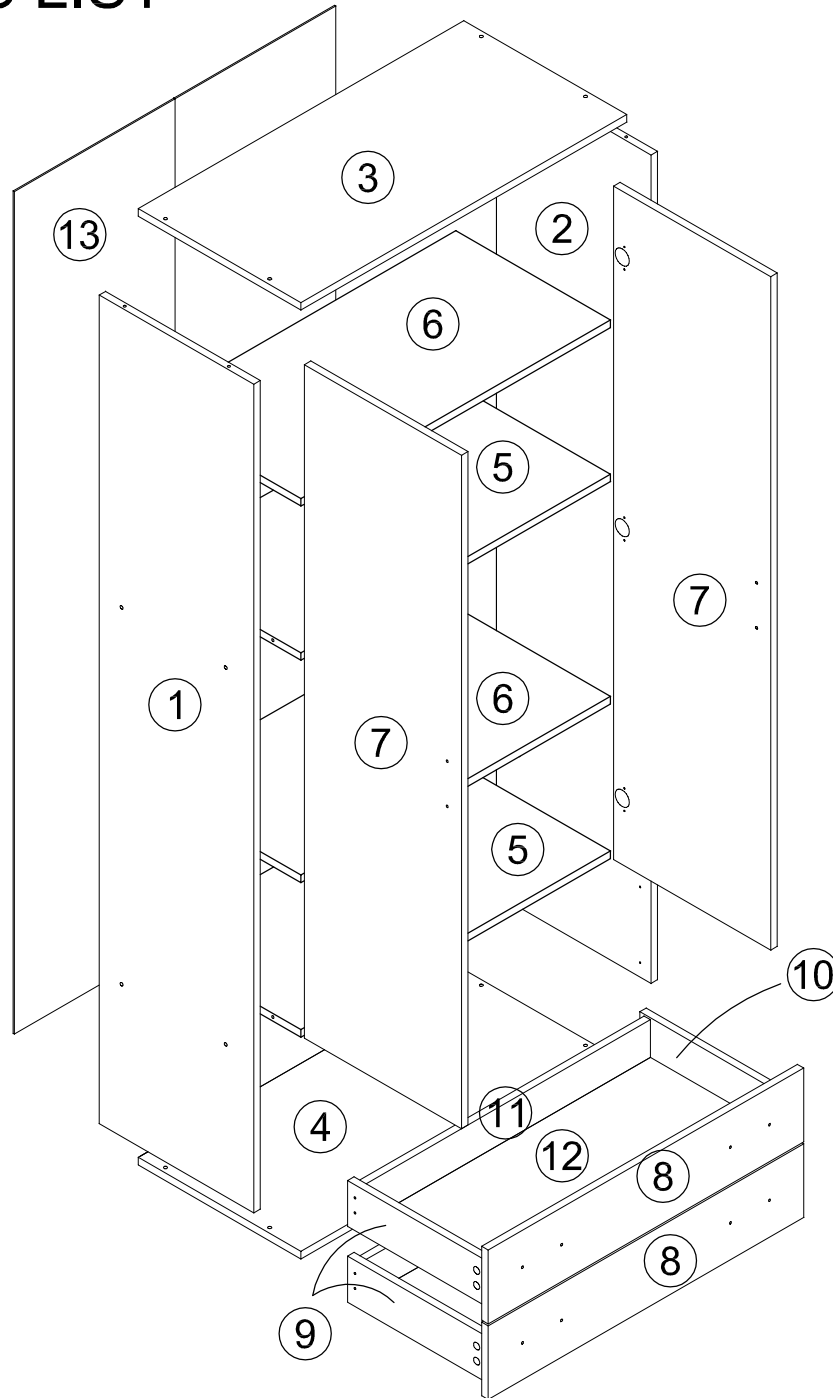


Assembly Instruction

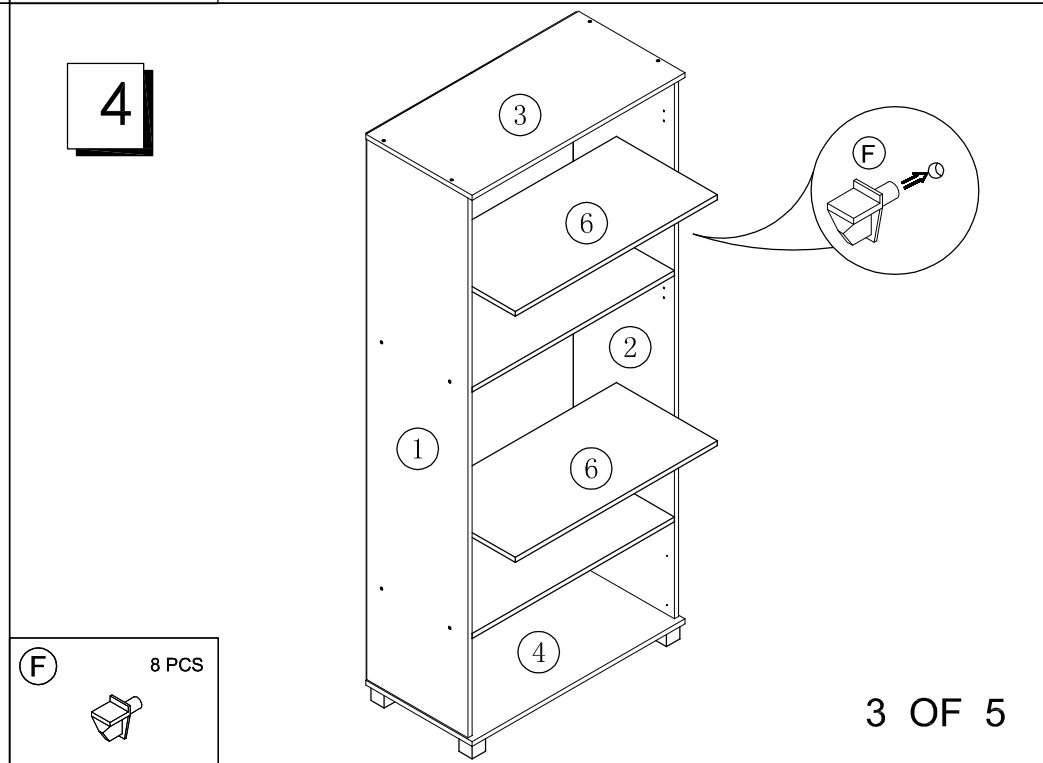
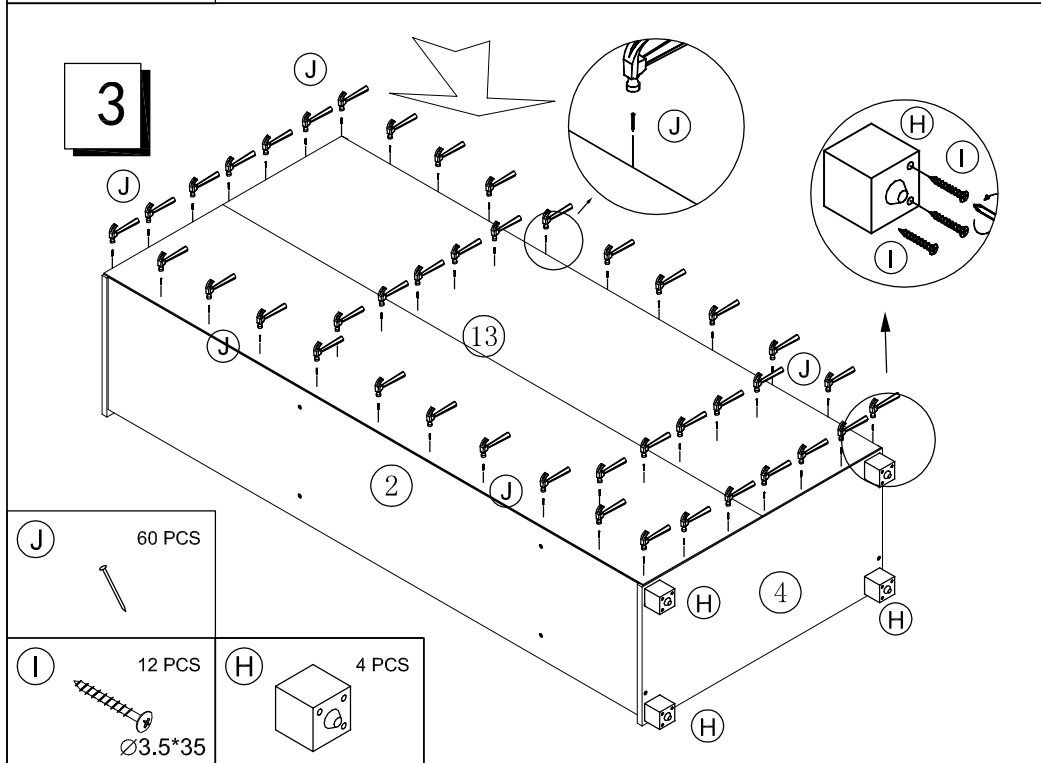
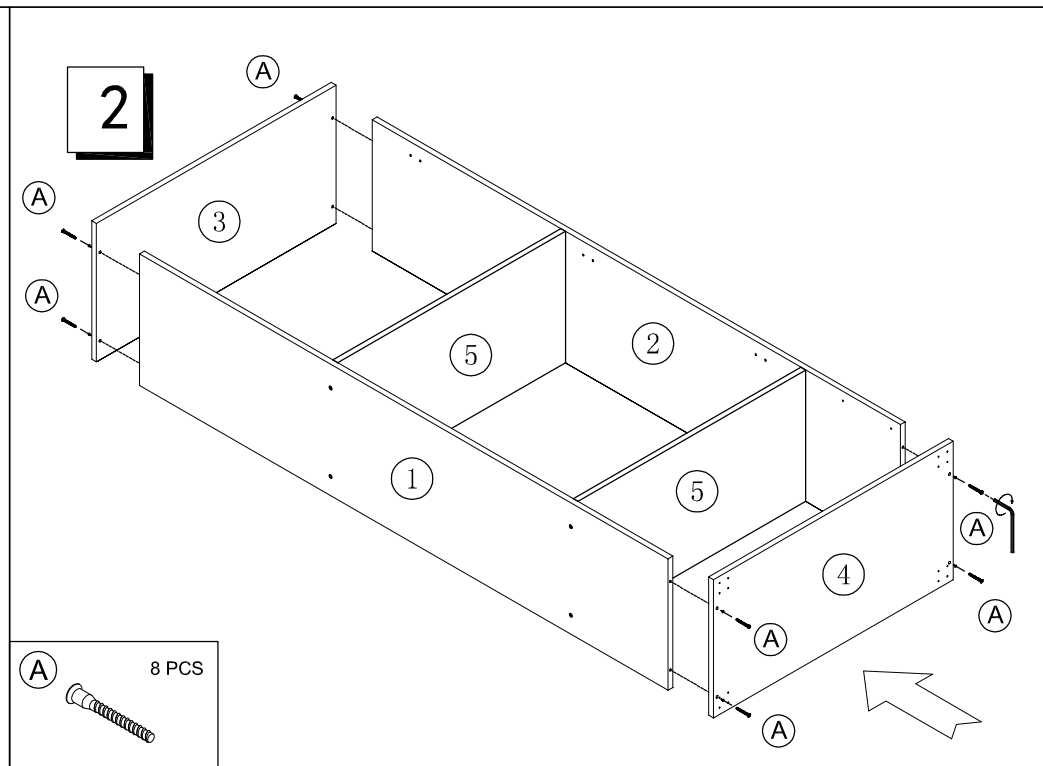
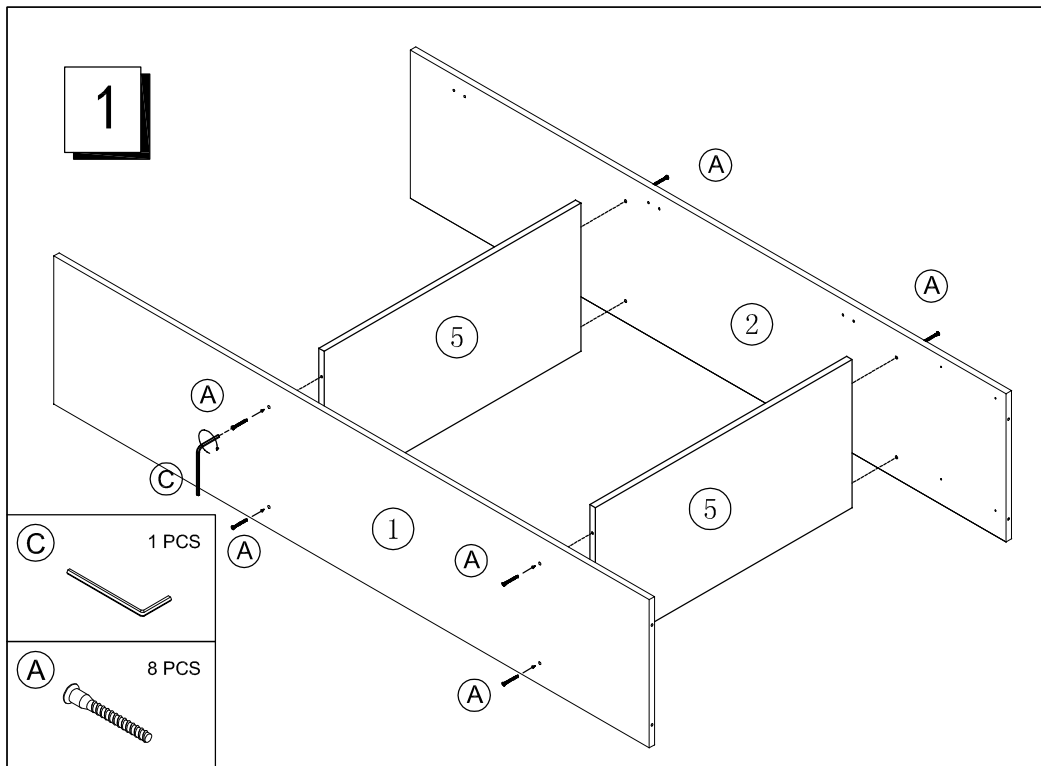


NO.	QTY.	LINEDRAWING	DESCRIPTION
(A)	16	 Ø7*50	
(B)	8		
(C)	1		
(D)	6		
(E)	12	 Ø4*22	
(F)	8		
(G)	28	 Ø3.5*14	
(H)	4		
(I)	20	 Ø3.5*35	
(J)	80	 Ø2*25	
(K)	6		
(L)	8		
(M)	8		
(N)	2		
		 	
		Hammer and Screwdriver are not included !!	
			1 OF 5

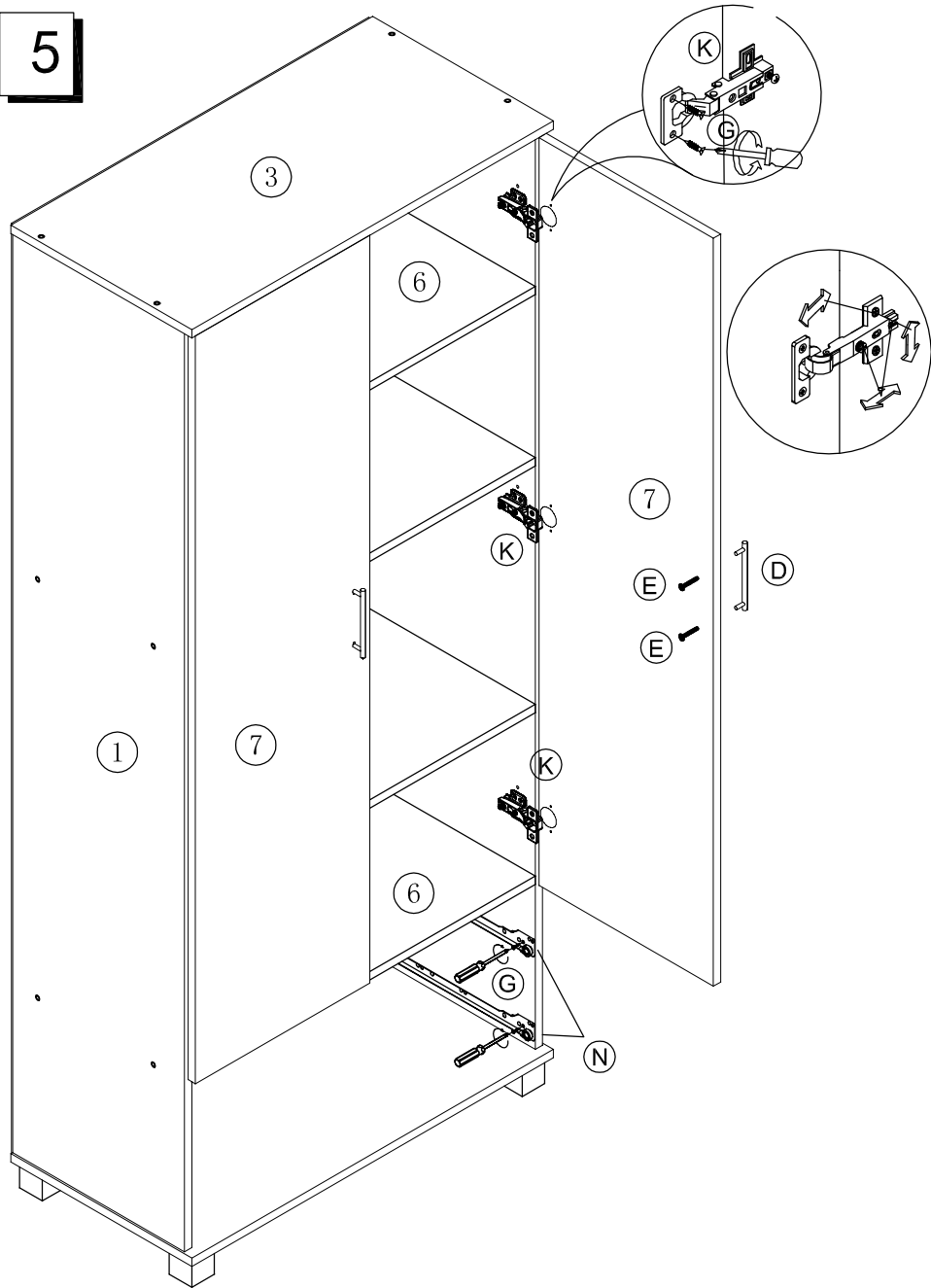
PARTS LIST



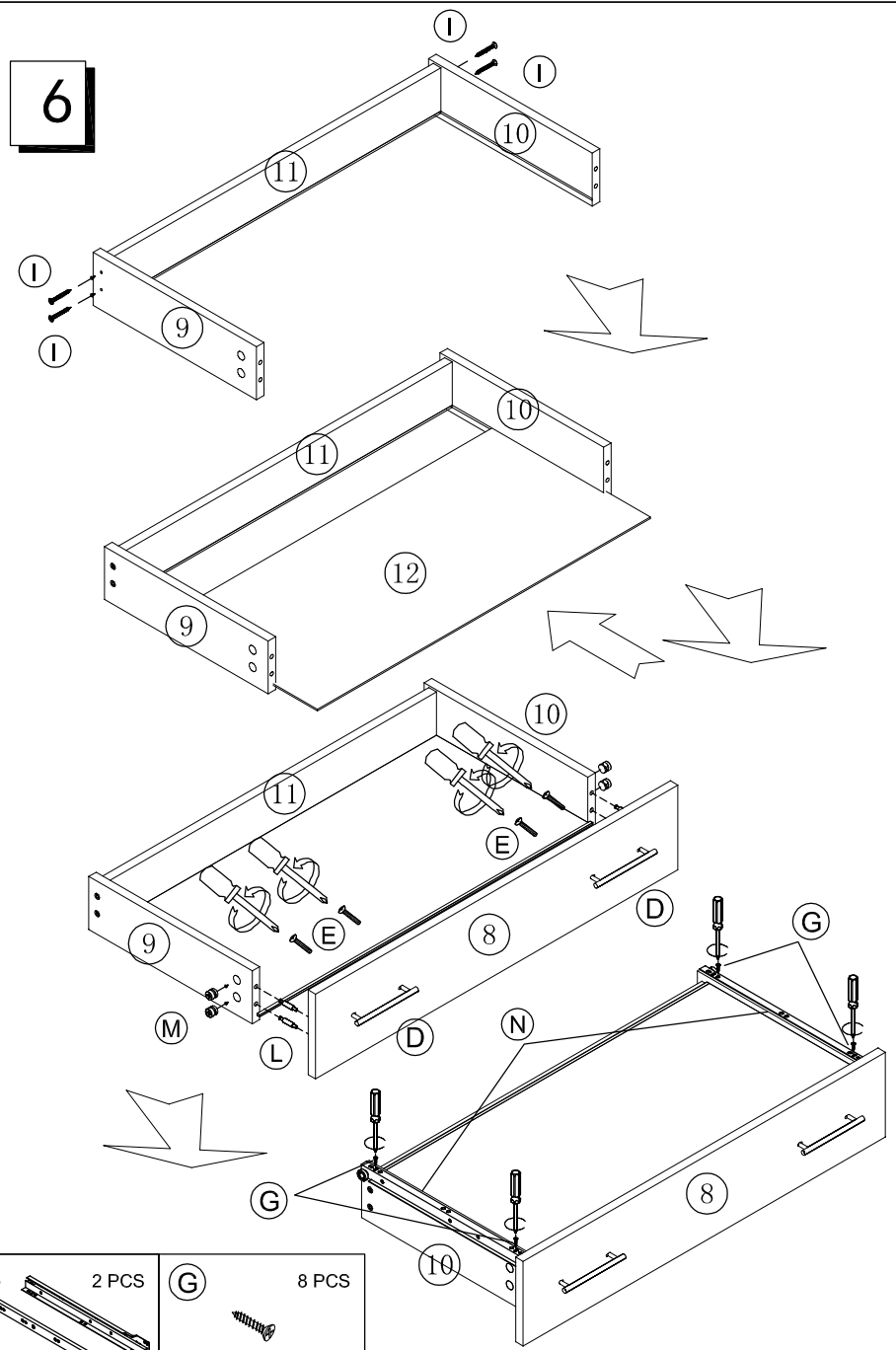
NO.	QTY.	LINEDRAWING	DESCRIPTION
①	1		
②	1		
③	1		
④	1		
⑤	2		
⑥	2		
⑦	2		
⑧	2		
⑨	2		
⑩	2		
⑪	2		
⑫	2		
⑬	1		



5



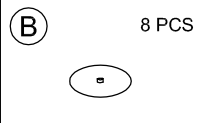
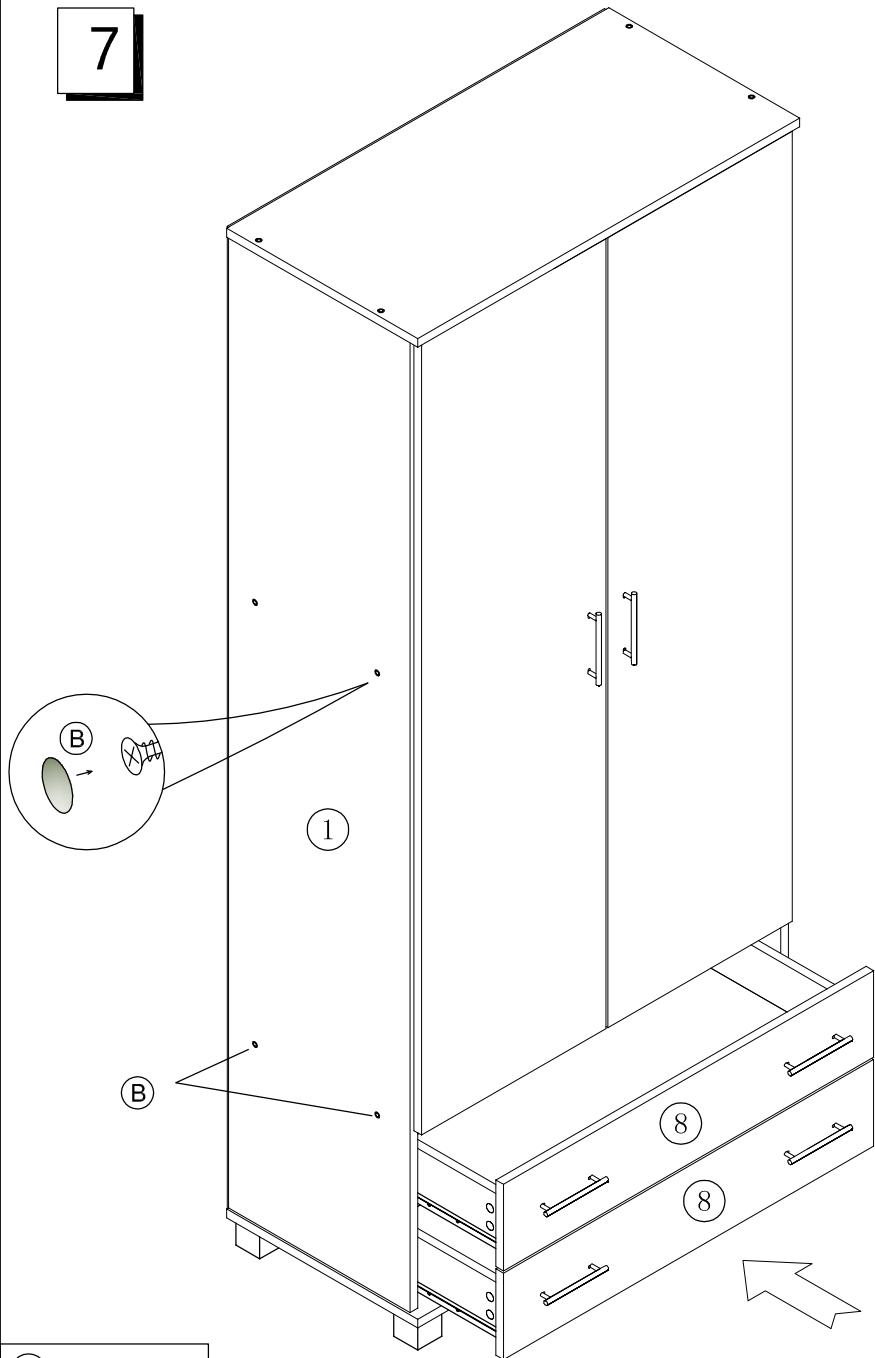
6



(D) 2 PCS 	(E) 4 PCS 	(K) 6 PCS 	(G) 12 PCS Ø3.5*14 	(N) 2 PCS
-------------------------	-------------------------	-------------------------	-------------------------------------	-------------------------

(N) 2 PCS 	(G) 8 PCS Ø3.5*14 	(D) 4 PCS 	(E) 8 PCS 	(L) 8 PCS 	(M) 8 PCS
-------------------------	------------------------------------	-------------------------	-------------------------	-------------------------	-------------------------

7



8

